

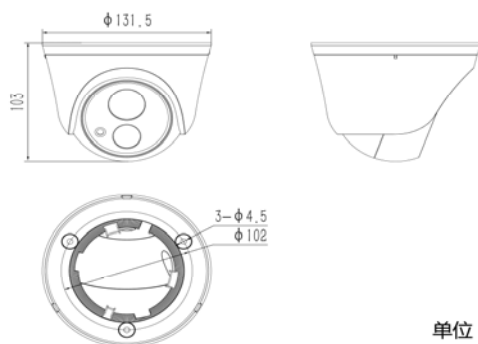
TC-A52F4 Spec:1/E/6mm
 TC-A52F4 Starlight Face Recognition Dome Camera
 Codice SICE: 4839335



Features

- Starlight Ultra Low Light 0.0008lux
- Up To 2MP, 1080p@25fps, 960p@25fps, 720p@25fps
- S+265,H.265/H.264 HP/MP/BP/M-JPEG
- Face recognition, Face capture, 99.9% accuracy, error <0.1%
- VCA Tripwire/Double Tripwire/Perimeter/Object Abandon/Object Lost/Running/Loitering/Parking/Early Warning/Crowd/People counting/Face detection/Audio Abnormal Detection/Video Abnormal Detection
- Link to the white light, speaker, alarm out, recording, capture
- NIR, WDR, 3D DNR, HLC, Dual-ICR, AWB, AGC
- Interface Built-in Speaker&mic, Audio in/out 1/1, Alarm in/out 2/1, MicroSD Card Slot, up to 128GB, USB Storage up to 128GB, Reset Button, RS485
- TVS 6000V, Lightning/Surge Protection: (Power 2000V, RJ45 1000V), IP66
- Operating Conditions -35℃~65℃(IR Off), -35℃~40℃ (IR on), 0~95% RHG
- CE, FCC

Dimensions



单位 : mm

Camera	
Image Sensor	1/2.8" CMOS
Signal System	PAL/NTSC
Min. Illumination	Color: 0.005 Lux @(F2.0, AGC ON)
Shutter Time	1s to 1/100,000s
Lens	6mm, Horizontal View Angle: 52.6°, Vertical View Angle: 29.5°
Lens Mount	M12
Day & Night	IR Cut Filter with Auto Switch
Wide Dynamic Range	Y
Digital Noise Reduction	3D DNR
Face Recognition/Capture Function	
Working mode	Face recognition, face capture, intelligent monitoring optional, default face recognition
Face database	Supports 32 face group, up to 5000 face database
Image Management	Support search, import, export (can be imported and exported as a folder using FaceDemo)
Face recognition index	Face recognition rate is higher than 95%, false recognition rate is less than 0.1% (normal walking scene). The face recognition rate is greater than 99.9%, and the false recognition rate is less than 0.1% (in conjunction with the recognition scene)
Face capture index	Face capture rate is higher than 98%, the false capture rate is less than 0.5%, and the repetition rate is less than 4%.(10-15 people)
Face Detection Chart	Fastest, Best (Snapshot Default), Continuous (Identify Default), Timing
Capture mode	Full capture mode (default), high quality, user-defined optional
Face exposure brightness	Default 35, 1-100 brightness optional
Face detection linkage	Face ROI, face exposure, linkage output, linkage video
Minimum face pixel	Default 80, 19-1920 can be set
Display target	Support face frame display & rule box display
Face recognition	Support comparison alarm & stranger alarm
Face linkage	Support linkage white light, sound, alarm output, video
Compression Standard	
Video Compression	S+265,H.265/H.264 HP/MP/BP/M-JPEG
Video Bit Rate	32Kbps~16Mbps
Audio Compression	G.711A/G.711U/ADPCM_D/AAC_LC
Audio Bit Rate	8K~48Kbps
Image	
Max. Image Resolution	2MP
Frame Rate	PAL: 1080p@25fps, 960p@25fps, 720p@25fps, VGA@25fps, 4CIF@25fps
Mainstream	1080p (1920×1080)
Substream	4CIF (704×576)
3rd Stream	CIF (352×288)
Image Settings	Brightness, Saturation, Contrast, Flip Mode Adjustable by Client Software or Web Browser
HLC	Y
Smart Defog	Y
Corridor Format	Y
ROI	Y
Privacy Mask	Y
Picture Overlay	Y
OSD	16×16, 32×32, 24×24, 48×48, 64×64 Size Letters Such as Week, Date, Time, Total 5 Regions
Network	
Network Storage	FTP
NTP	Y
ANR	Y
Video Analytics	Tripwire/Double Tripwire/Perimeter/Object Abandon/Object Lost/Running/Loitering/Parking/Early Warning/Crowd/People counting/Face detection/Audio Abnormal Detection/Video Abnormal Detection
EW	Y
Alarm Trigger	Motion Detection/IP Conflict/MAC Conflict/Mask Alarm/Memory full/Memory exception
Protocols	TCP/UDP/HTTP/UPnP/DHCP/PPPoE/DDNS/FTP/NTP/RTSP/SNMP/SMTP/QoS/HTTPS (customized)
Remote Connection	≤7
System Compatibility	ONVIF (Profile S), P2P, (SDK, CGI - ND)
Interface	
Audio Input	1-ch, Built-in Mic
Audio Output	1-ch, Built-in Speaker
Communication Interface	1-ch RJ45 10M / 100M Ethernet Interface
Alarm Input	2-ch
Alarm Output	1-ch
Video Output	N/A
On-board Storage	MicroSD Card Slot, up to 128GB (ND)
Extension	Reset, USB, RS485
General	
Language	English, Simplified Chinese
Operating Conditions	-35℃~65℃(white light Off), -35℃~40℃ (white light on), 0~95% RHG
Power Supply	DC 12 V ± 20%, POE
Power Consumption	5.5W
Impact Protection	IP66, IK10
White Light Distance	3-5 meter (ND)
Dimensions	131.5mm*103mm
Weight	0.65KG (with Packing Box)