

TC-A52M4 Spec: 1/A/E/2.8-12mm/V2.0

Super Starlight Motorized Face Recognition Dome Camera

Codice SICE: 4839325

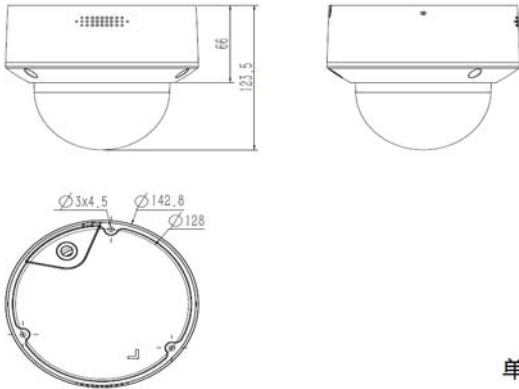
Tiandy



Features

- Starlight Ultra Low Light 0.0008lux
- Up To 2MP, 1080p@25fps, 960p@25fps, 720p@25fps
- H.265, H.264 HP/MP/BP, M-JPEG
- Face recognition, Face picture shooting, 99.9% accuracy, error <0.1%
- VCA Tripwire/Double Tripwire/Perimeter/Object Abandon/Object Lost/Running/Loitering/Parking/Early Warning/Crowd/People counting/Face detection/Audio Abnormal Detection/Video Abnormal Detection
- Linked to the white light, speaker, recording.
- Mechanical WDR 120dB
- NIR, WDR, 3D DNR, HLC, Dual-ICR, AWB, AGC
- Interface Built-in Speaker&mic, Audio in/out 1/1, Alarm in/out 2/1, MicroSD Card Slot, up to 128GB, USB Storage up to 128GB, Reset Button, RS485
- TVS 6000V, Lightning/Surge Protection: (Power 2000V, RJ45 1000V), IP66
- Operating Conditions -30℃~65℃(IR Off), -30℃~40℃ (IR on), 0~95% RHG
- CE, FCC

Dimensions



单位 : mm

Camera	
Image Sensor	1/2.8" CMOS
Signal System	PAL/NTSC
Min. Illumination	Color: 0.0008 Lux @(F1.2, AGC ON)
Shutter Time	1s to 1/100,000s
Lens	2.8~12mm, Angle of View: 55.7°~98°
Lens Mount	€ 14
Day & Night	IR Cut Filter with Auto Switch
Wide Dynamic Range	120 dB
Digital Noise Reduction	3D DNR
Face Recognition/Capture Function	
Working Mode	Face recognition, face capture, intelligent monitoring optional, default face recognition
Face Database	Support 32 face group, up to 5K face database
Face Recognition	Support comparative alarm and stranger alarm
Face Linkage	Support linkage white light, sound, alarm output, video recording
Face Recognition Index	Face recognition rate is more than 95% and false recognition rate is less than 0.1% (normal walking scene)
Video Analytics	Face recognition rate is more than 99.9% and false recognition rate is less than 0.1% (with recognition scenarios)
Alarm Trigger	Tripwire/Double Tripwire/Perimeter/Object Abandon/Object Lost
Protocols	Running/Loitering/Parking/Crowd/Face Detection/People Counting
User Permission	Audio Abnormal Detection/Video Abnormal Detection/On duty Detection
Remote Connection	Motion Detection/IP Conflict/MAC Conflict/Port Alarm/Mask Alarm/Network off-line
System Compatibility	IPv4/HTTP/802.1x/FTP/SNMP/UPnP/SNMP/DNS/DDNS/NTP/RTSP/TCP/UDP/DHCP/PPPoE
Compression Standard	4 Level/8 Users
Video Compression	4 Users Access at the Same Time
Video Bit Rate	32Kbps~16Mbps
Audio Compression	ONVIF (Profile S), P2P, SDK, CGI
Audio Bit Rate	8K~48Kbps
Image	
Max. Image Resolution	2MP
Frame Rate	PAL: 1080p@25fps, 960p@25fps, 720p@25fps, VGA@25fps, 4CIF@25fps NTSC: 1080p@30fps, 960p@30fps, 720p@30fps, VGA@30fps, 4CIF@30fps
Mainstream	1080p (1920×1080)
Substream	4CIF (704×576)
3rd Stream	CIF (352×288)
Image Settings	Brightness, Saturation, Contrast, Flip Mode Adjustable by Client Software or Web Browser
HLC	Y
Smart Defog	Y
Corridor Format	Y
ROI	Y
Privacy Mask	Y
Picture Overlay	Y
OSD	16×16, 32×32, 24×24, 48×48, 64×64, 96×96 Size Letters Such as Week, Date, Time, Total 5 Regions
Network	
Network Storage	FTP
NTP	Y
ANR	Y
Video Analytics	Tripwire/Double Tripwire/Perimeter/Object Abandon/Object Lost/Running/Loitering/Parking/Early Warning/Crowd/People counting/Face detection/Audio Abnormal Detection/Video Abnormal Detection
EW	Y
Alarm Trigger	Motion Detection/IP Conflict/MAC Conflict/Mask Alarm/Memory full/Memory exception
Protocols	TCP/UDP/HTTP/UPnP/DHCP/PPPoE/DDNS/FTP/NTP/RTSP/SNMP/SMTP/QoS/HTTPS(customized)
Remote Connection	≤7
System Compatibility	ONVIF (Profile S), P2P, SDK, CGI
Interface	
Audio Input	1-ch, Built-in Mic
Audio Output	1-ch, Built-in Speaker
Communication Interface	1-ch RJ45 10M / 100M Ethernet Interface
Alarm Input	2-ch
Alarm Output	1-ch
Video Output	N/A
On-board Storage	MicroSD Card Slot, up to 128GB
Extension	Reset, USB, RS485
General	
Language	English, Simplified Chinese
Operating Conditions	-35℃~60℃(white light Off), -35℃~40℃ (white light on), 0~95% RHG
Power Supply	DC 12 V ± 20%, POE
Power Consumption	6.5W
Impact Protection	IP66, IK10
White Light Distance	2-8 meter
Dimensions	142.8*142.8*123.5mm
Weight	1.2KG (with Packing Box)