

IPC-HDPW4200FP-WPT

2MP Full HD Wi-Fi IR Mini PT Dome Camera



Features

- 1/2.8" 2Megapixel progressive scan CMOS
- H.264 & MJPEG dual-stream encoding
- Max 25/30fps@1080P
- Day/Night(ICR), 3DNR, AWB,AGC,BLC
- Multiple network monitoring: Web viewer, CMS(DSS/PSS) & DMSS
- Max 100°/s preset speed, $\pm 180^\circ$ Pan range, 90° Tilt range
- 3.6mm fixed lens
- Max. IR LEDs Length 15m
- Wi-Fi support
- Built-in Mic
- DC12V

IPC-HDPW4200FP-WPT

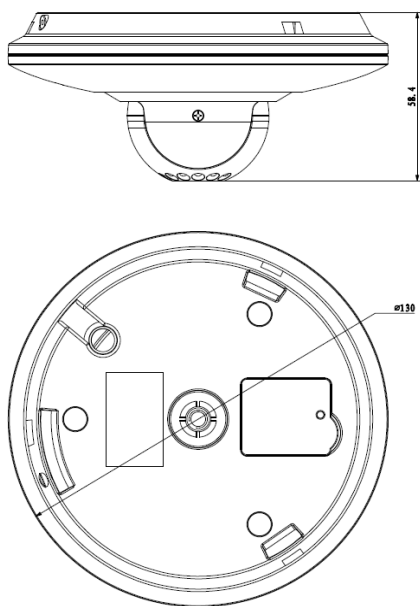
Technical Specifications

Model	IPC-HDPW4200FP-WPT	
Camera		
Image Sensor	1/2.8" 2Megapixel progressive scan CMOS	
Effective Pixels	1920(H)x1080(V)	
Scanning System	Progressive	
Electronic Shutter Speed	Auto/Manual 1/3(4)~1/100000	
Min. Illumination	0.01Lux/F1.2(color)	
S/N Ratio	More than 50db	
Video Output	N/A	
Camera Features		
Max. IR LEDs Length	15m	
Day/Night	Auto(ICR)/Color/B/W	
Backlight Compensation	Off/BLC/HLC/DWDR	
White Balance	Auto/Manual	
Gain Control	Auto/Manual	
Noise Reduction	3D	
Privacy Masking	Up to 4 areas	
Digital Zoom	3x	
Lens		
Focal Length	3.6mm	
Max Aperture	F1.2	
Focus Control	Manual	
Angle of View	H:88°	
Lens Type	Fixed lens	
Mount Type	Board-in Type	
PT		
Pan/ Tilt Range	Pan: 0°~±180°; Tilt: 0°~90°	
Preset Speed	100°/s	
Preset	25	
Video		
Compression	H.264/H.264H/MJPEG	
Resolution	1080P(1920×1080) / 720P(1280×720) /D1(704×576/704×480) / CIF(352×288/352×240)	
Frame Rate	Main Stream	1080P/720P(1 ~ 25/30fps)
	Sub Stream	D1/CIF(1 ~ 25/30fps)
Bit Rate	H.264: 32K ~ 8192Kbps	
Audio		
Compression	G.711a/G.711u/PCM	
Interface	Bulit-in Mic	
Network		
Ethernet	RJ-45 (10/100Base-T)	
Wi-Fi	Wi-Fi(IEEE802.11b/g/n)	

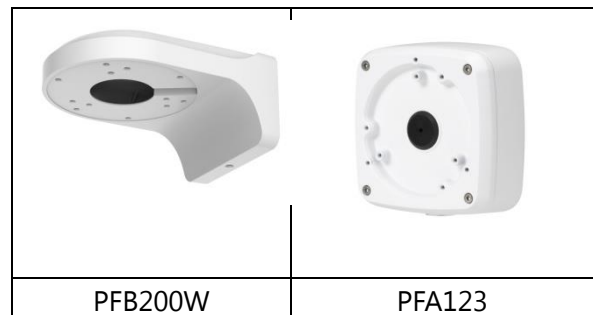
IPC-HDPW4200FP-WPT

	50m(open field)
Protocol	IPv4/IPv6, HTTP, HTTPS, SSL, TCP/IP, UDP, UPnP, ICMP, IGMP, SNMP, RTSP, RTP, SMTP, NTP, DHCP, DNS, PPPOE, DDNS, FTP, IP Filter, QoS, Bonjour
Compatibility	ONVIF PSIA CGI
Max. User Access	20 users
Smart Phone	iPhone, iPad, Android, Windows Phone
Auxiliary Interface	
Memory Slot	N/A
RS485	N/A
Alarm	N/A
PIR Sensor Range	N/A
General	
Power Supply	DC12V
Power Consumption	<5W
Working Environment	-30°C~+50°C, Less than 95% RH
Ingress Protection	N/A
Vandal Resistance	N/A
Dimensions	Φ130mm×58.4mm
Weight	0.25kg

Dimensions (mm)



Accessory (optional)



*Design and specifications are subject to change without notice.